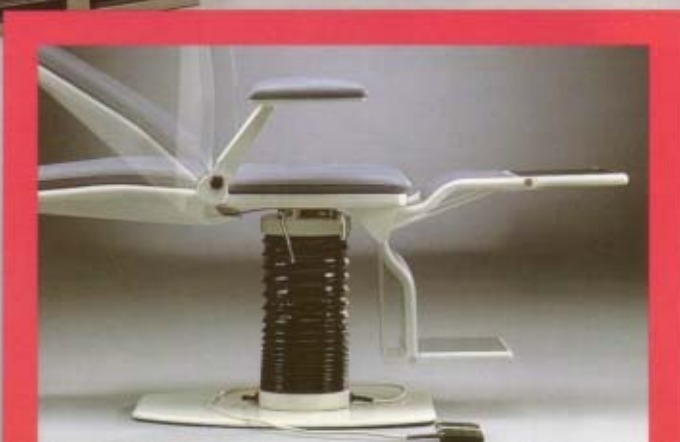


Patient chair



**5104**



**jörg&sohn**

## Patient chair



# 5104

- ◆ Universal patient chair for ENT and other medical examinations.
- ◆ In modern design.
- ◆ With infinitely variable height-adjustment by means of a double pedal switch.
- ◆ Maintenance-free, electromotive lift, stroke 200 mm with 12-V-motion according IEC 601-1.
- ◆ Horizontally installed seat (slight seat inclination).
- ◆ The backrest adjustable from the vertical (95°) up to and below the horizontal position by gaspring.
- ◆ Infinitely variable height adjustment of the headrest. Can be completely pulled out if necessary. After loosening the hand screw additionally to be adjusted to approx. 170° incline.
- ◆ The complete legrest folding up to horizontal position. Legrest extensible by synchronously following-on footrest.
- ◆ The two comfortably upholstered armrests are tiltable forwards and backwards.
- ◆ The complete upper part fully rotating and progressively lockable.
- ◆ The one-piece upholstery is fixed with Velcro fastener.
- ◆ Option: zeroizing pedal switch.

Technical datas:

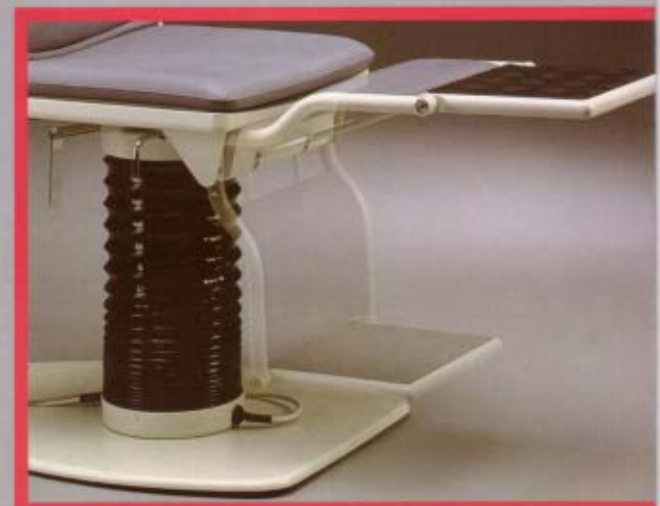
Height adjustment: 510 – 710 mm

Voltage: 230V, 50 cycles

Current consumption: 2,7 A

Weight: approx. 80 kg

Subject to technical modifications!





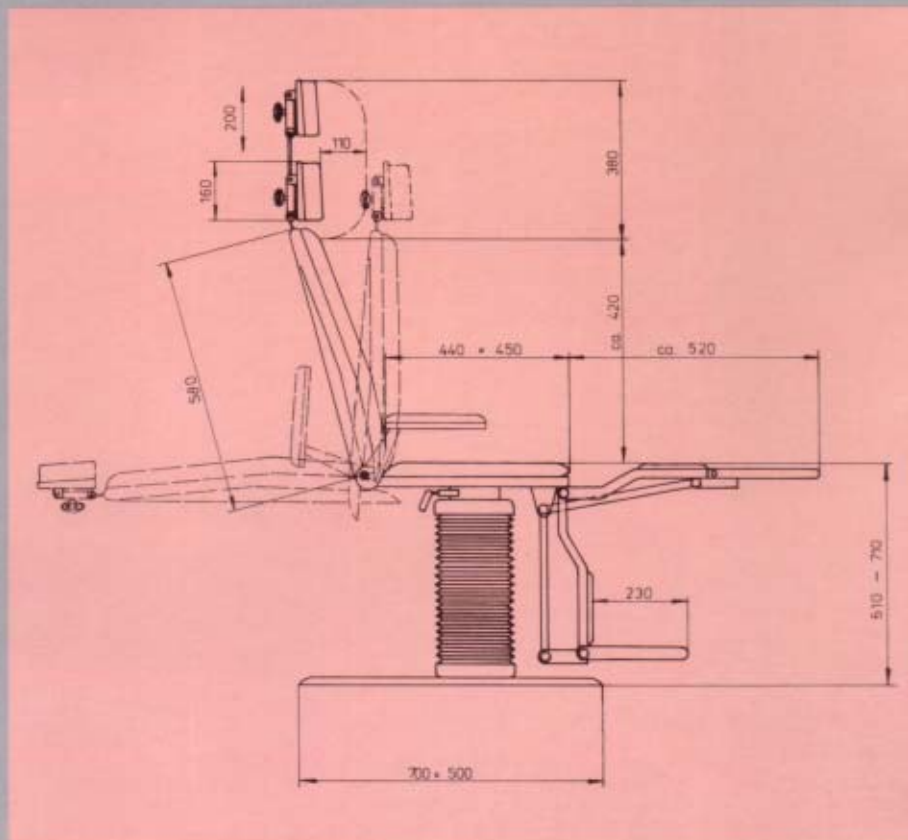


Patient chair



5104

Dimensioned drawing:



jörg&sohn

Dental  
Equipment

Medical Equipment

Podiatry